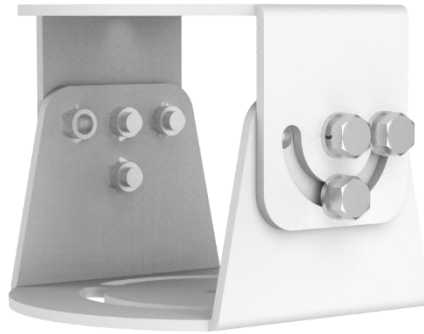


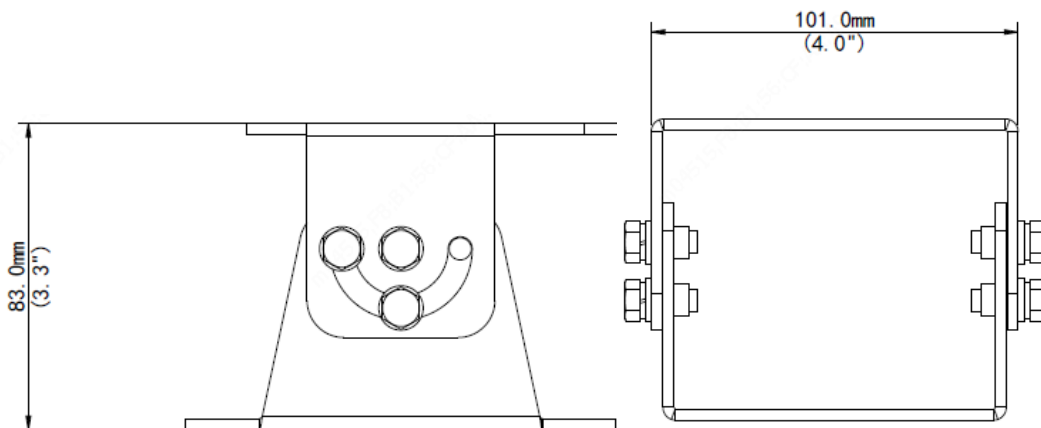
TR-UV06-C-IN OmniView Network Camera 2D Bracket Mount

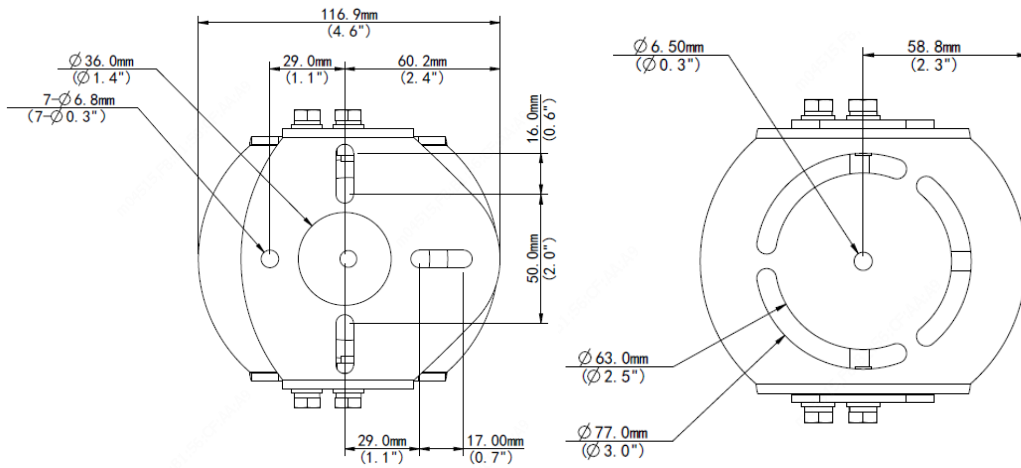


Specifications

| | |
|-------------|--|
| Bracket | TR-UV06-C-IN |
| Application | Indoor or outdoor, pole or rail installation |
| Dimensions | 116.9mmx101.0mmx83.0mm(4.6" x 4.0" x 3.3") |
| Weight | 0.28kg (0.62lb) |
| Material | Aluminum alloy |

Dimensions




Zhejiang Uniview Technologies Co.,Ltd.

South Tower, Building 10, Wanlun Science Park, 88 Jiangling Road, Hangzhou, P.R.China 310051

Email: overseasbusiness@uniview.com; globalsupport@uniview.com

<http://www.uniview.com>

©2019 Zhejiang Uniview Technologies Co.,Ltd. All rights reserved.

*Product specifications and availability are subject to change without notice.